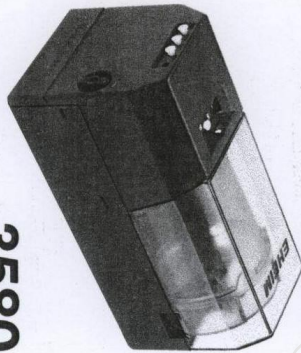
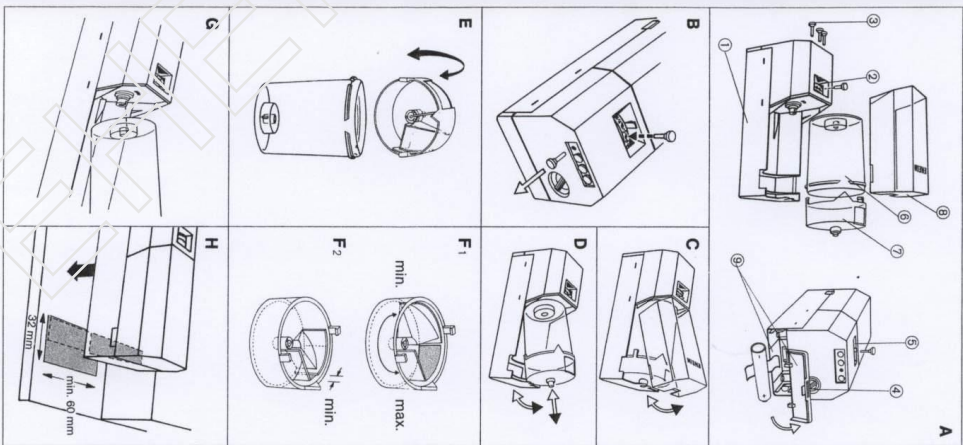
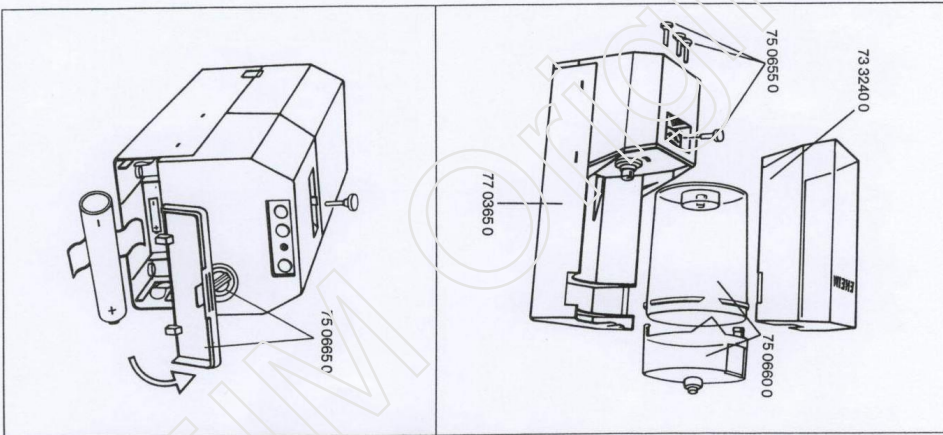


**EHEIM**



**3580**

D	Futterautomat
GB	Automatic Feeding Device
FR	Distributeur automatique de nourriture
NL	Voederautomaat
I	Distributore automatico di mangime
S	Foderautomat
E	Alimentación automática
DK	Foderautomaten
SP	Syöttöautomatti
N	Forautomaten
P	Distribuidor de alimento



GB (USA)

① Housing with quartz mechanism and time control (24 hours)  
 ② programming disk ③ programming pin ④ drum knob ⑤ release knob ⑥ feed drum ⑦ drum cover with dispensing device ⑧ cover ⑨ battery chamber with cover

Starting up: Insert 1.5 V miniature battery; timer runs. Battery life approx. 6 months when feeding 3 times a day. (Battery supplied with the pump may be left out of long storage - test before use if necessary; remove battery when not in use.)

Programming: ① hourly feeding is possible. Turn programming disc until required feeding time appears. Insert programming pin to left of time indication. For repeated feeding, repeat operation (additional programming pins available under order no. 75 0855 0/1/2 etc.).

Filling: After taking off cover ⑩ remove feed drum ⑪. Take off drum cover ⑫. The feed delivery quantity is set to a mean value. It can be varied as required: flake food (F 1) or granulated food (F 2) customise drum. Fit drum on cover ⑬. Reinsert drum with aperture upwards ⑭. Lock device with cover ⑮.

Positioning: it is advisable to place the feeder on the aquarium cover - never beneath it! In many cases, food apertures are already in the cover. Please make sure that the automatic feeder is not placed directly above the airstone or similar item. Sometimes, when large temperature differences between the water and the surroundings occur (≈ 10°C difference) more condensation is created and this may affect the quality of the food. You can avoid this problem with careful positioning of the feeder. Raise the automatic feeder 3 cm above the aquarium cover by placing something beneath it. This allows a better circulation of air between the feeder and the food aperture in the aquarium cover. Or operate the automatic feeder simply without the cover ⑯.

Feeding: we recommend that a half feed be carried out after positioning. Press the release knob ⑰ once in the direction of the feed drum and then turn the drum knob ⑱ to the left until the feed container has turned once round its own axis. The actual time is now set by turning the programming disc to the arrow ⑲. The device is working. Feeding begins 20 mins after the programmed times. The slowly rotating drum causes the entire quantity of feed to be sprinkled in over a period of 20 mins in the optimum for the fish. For an additional interim feed, it is sufficient to press the release knob ⑰. A normal feeding cycle will take place - approx. 20 mins. positioning - 20 mins. feeding - 20 mins. resetting.

Cleaning: The automatic feeding device requires no maintenance. If necessary, clean the drum when it is dry (brush). Any interference with the timing mechanism will invalidate the guarantee.